

# Product Specification



## The maximum 400x magnification

Superior magnification rate with high resolution.

## Convenient Portable Device

Small size and light weight.  
Carry it in your pocket and go anywhere with it.

## Easy and Simple to use

Just attach it to your smartphone and activate the camera.

## No power consumption and No Cable Connection

No need to be charged, can be used anytime.

 PHOTO	 CLOUD	 BURST	 SNS	Including a clip <b>3.89g</b> OVERALL WEIGHT	Can be used with most smartphones  COMPATIBILITY	 NO BATTERY
 TIME LAPS	 GALLERY	 SLOW MOTION	 VIDEO	 NO CABLE	Depending on smartphone  MAGNIFICATION	Very slim thickness <b>0.5CM</b> THICKNESS
 MEASUREMENT	 WATER MARK			 COMPATIBLE WITH IOS & ANDROID	Patented Light technology (pending)  UNIFORMLY ILLUMINATES	

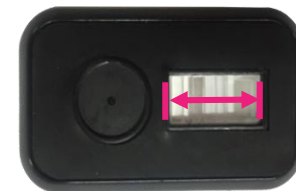
## 1. Image Restoration

More closer, More distortion ( like fisheye ).  
Distorted 2D Contacted object image is  
restored perfectly through the optical path  
designed in the Nurugo Micro



## 2. Light Guide Technology applied (Patent)

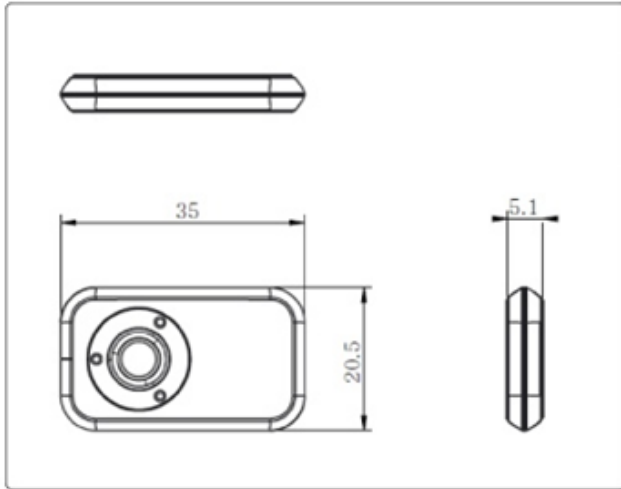
This Diffuser made by Light Guide Technology makes uniform light source.  
High quality object image can be taken by this.



## 3. Multi-lens applied

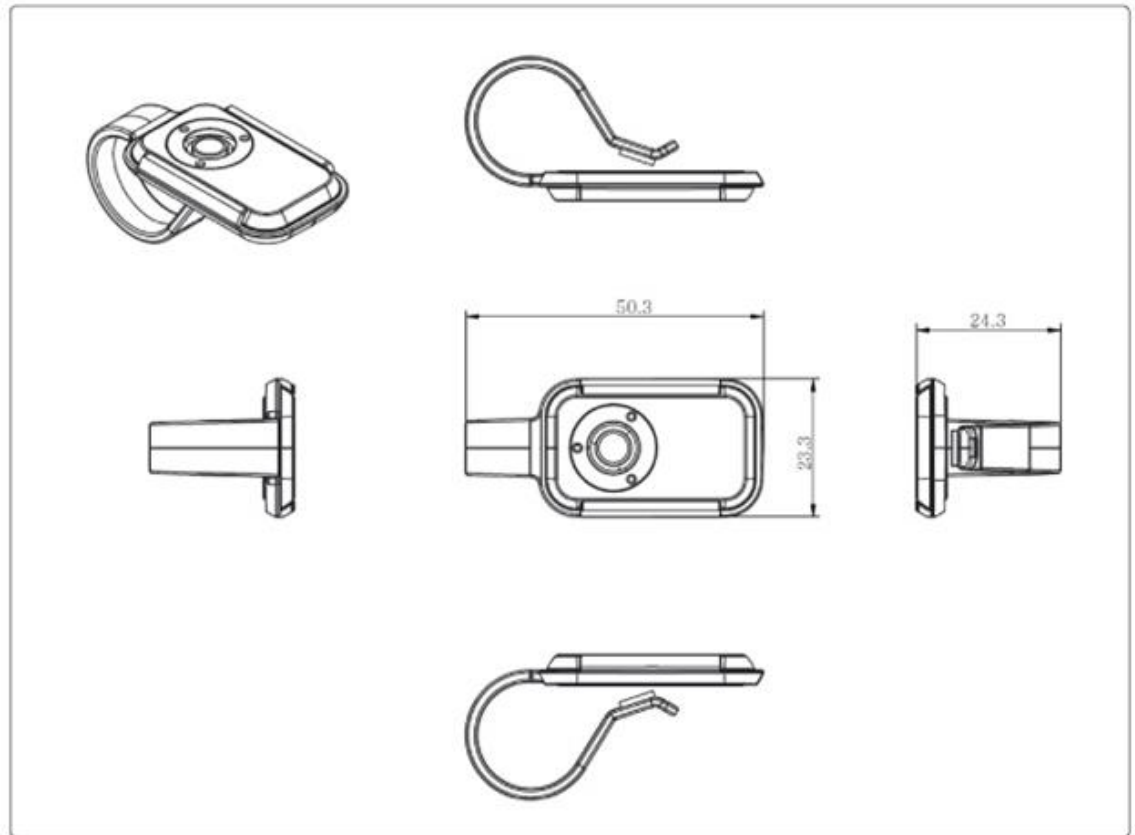
High resolution image is taken by multi-lens structure.  
This structure make compete with expensive equipments

# Product Dimension

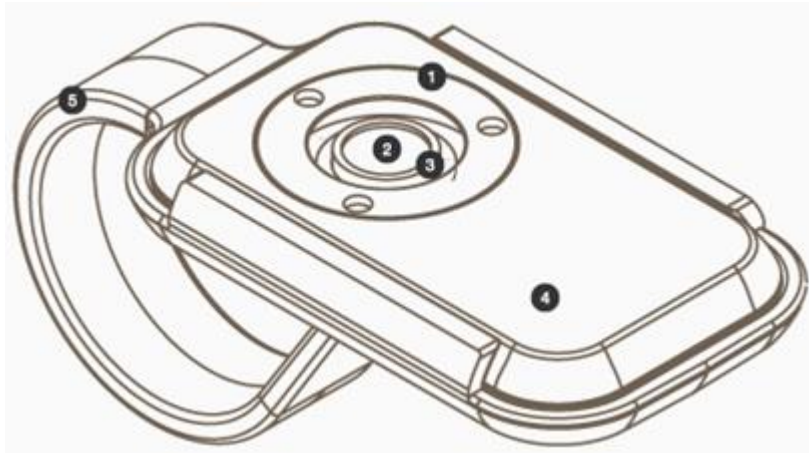


Without Clip

With Clip



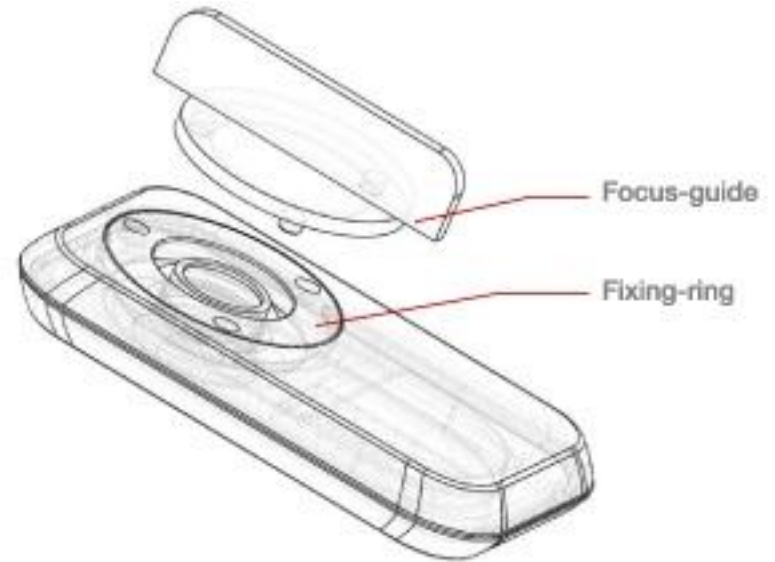
# Product Structure



- 1 Fixing-ring**  
Designed to uniformly illuminate the object
- 2 Lens**
- 3 Lightguide**  
Designed to minimize the loss of light
- 4 Case**
- 5 Holder**



- 1 Camera part**  
touches the smartphone's camera
- 2 LED part**  
Absorbs the LED lighting



# Product Package

