

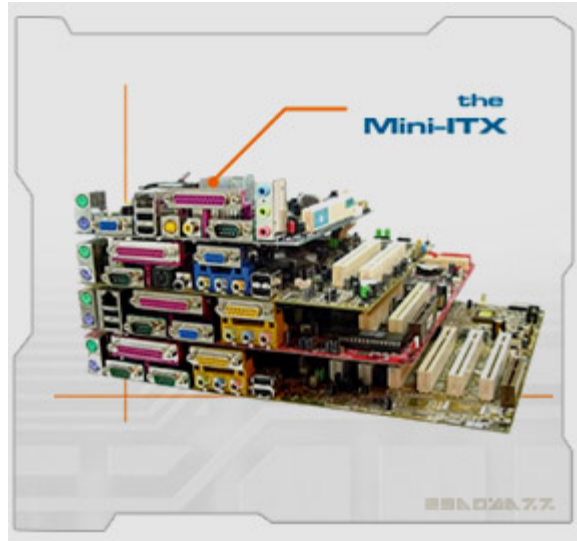
## Model EPIA-V-8000

The VIA EPIA Mini-ITX mainboard brings the industry's smallest, most highly integrated, and most flexible x86 platform to OEMs and System Integrators looking for solutions that offer the maximum of features without sacrificing design flexibility. Offering the choice of a VIA Eden™ ESP processor core for fanless systems with power sensitive requirements, or a VIA C3™ E-Series processor for more multimedia rich applications, the EPIA Mini-ITX mainboard also features embedded onboard graphics, audio and TV-Out support. The VIA EPIA Mini-ITX mainboard is the ideal platform for an almost unlimited variety of Extreme Value PC, Information Appliance, Set Top Box, Personal Video Recorder, and Industrial PC designs.

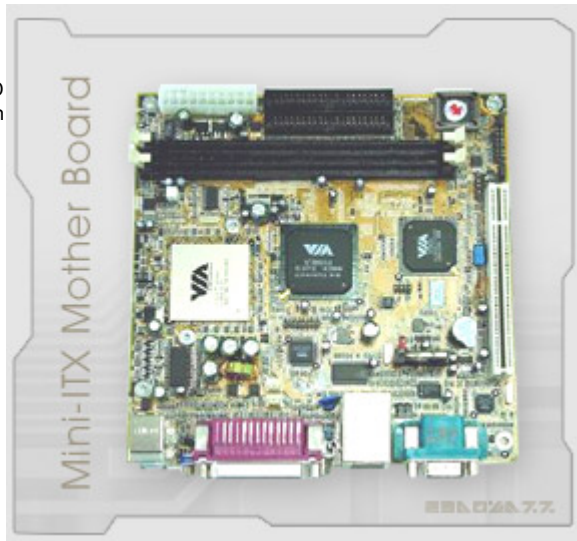
Measuring just 170mm x 170mm, the VIA EPIA Mini-ITX mainboard is 30% smaller than the smallest Flex-ATX platforms, while maintaining Micro ATX chassis compliancy. It also provides the smallest and coolest processing environment available, including an optional fanless configuration. The VIA Apollo PLE133 North Bridge features integrated graphics with 2D/3D acceleration and DVD Motion Compensation, accompanied by onboard SoundBlaster™ and SoundBlaster™ Pro compatible audio, delivering key multimedia capabilities. Onboard 10/100 LAN, TV-Out, an additional PCI slot, and a full set of I/O features provide ample connectivity and expansion options.

## Applications

- Compact desktop or mobile computer
- Embedded Single Board Computer systems  
Thin clients
- Network devices like Firewall, encryption hardware, Network monitor, Device manager etc.
- Embedded Windows NT/XP clients
- Industrial control systems



Mini-ITX Motherboards are much smaller compared to Standard motherboards



## Technical Specifications

### Model EPIA-V-8000 Specifications

Processor - VIA C3 800MHz EPGA Processor  
Cpu Fan (not shown in picture)  
Chipset - VIA PLE133 North Bridge- VT8231 South Bridge  
System Memory - 2 PC 133 DIMM socket - Up to 1GB memory size  
VGA - Integrated Trident graphics  
Expansion Slots - 1 PCI  
Onboard IDE - 1 X UltraDMA 100/66 Connector (2 devices)  
Onboard Floppy - 1 x FDD Connector  
Onboard LAN - VIA VT6103 10/100 Base-T Ethernet PHY  
Onboard Audio - VIA VT1612A 2 channel AC'97 Codec  
Onboard TV Out - VIA VT1621 TV out (optional)  
Onboard I/O Connectors - 1 USB connectors for 2 USB 1.1 ports

- - CD Audio-in connector
  - - SIR connector
  - - CIR connector
  - - Wake-on-LAN, Wake-on-Ring
  - System intrusion connector
- Back Panel I/O - 1 PS2 mouse port
- - 1 PS2 keyboard port
  - - 1 Parallel
  - - 1 RJ-45 LAN port
  - - 1 Serial port
  - - 2 USB 1.1 ports , 2 additional (Total 4) using USB connector included
  - - 1 VGA port
  - - 1 RCA port (SPDIF or TV out)
  - - 1 S-Video port
  - - 3 Audio jacks: line-out, line-in and mic-in BIOS - Award BIOS - 2/4Mbit flash memory System Monitoring & Management
  - - CPU temperature monitoring
  - - CPU voltage monitoring
  - - Wake-on-LAN, Keyboard-Power-on, Timer-Power-on
  - - System power management
  - - AC power failure recovery
  - Form Factor - Mini-ITX (4 layer) - 17 cm x 17 cm

---

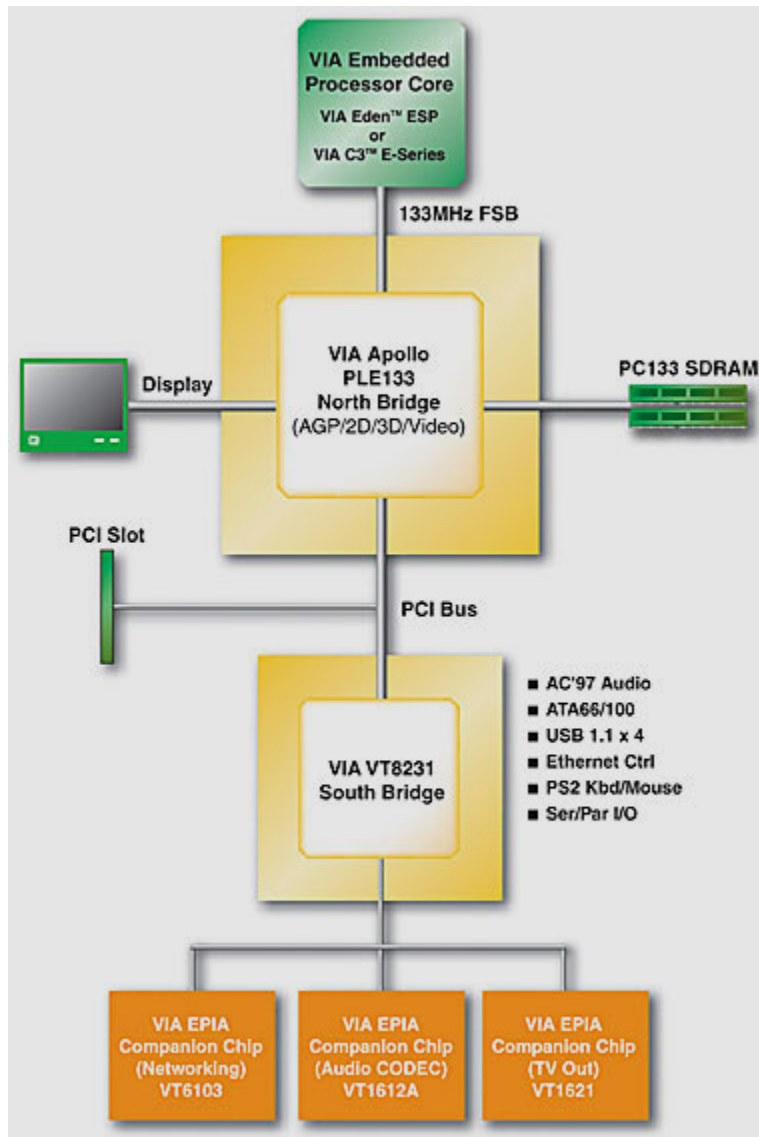
### VIA EPIA Mainboard Specification(General)

---

Standardized Embedded Solutions for Total Mainboard Connectivity

Form Factor	<ul style="list-style-type: none"> <li>- Mini-ITX</li> <li>- 170mm x 170mm</li> <li>- Micro ATX Chassis Compliant</li> </ul>
Processor	<ul style="list-style-type: none"> <li>- VIA C3™ E-Series processor (EBGA package) 800MHz</li> <li>- 100/133MHz Front Side Bus</li> <li>- 128K L1 and 64K L2 cache</li> </ul>
Chipset	<ul style="list-style-type: none"> <li>- VIA Apollo PLE133</li> <li>- VT8601A North Bridge</li> <li>- Featuring integrated AGP 2X graphics</li> <li>- VIA VT8231 South Bridge</li> </ul>
TV-Out	<ul style="list-style-type: none"> <li>- Integrated Macro Vision 7.01</li> <li>- High quality scaling and filtering</li> <li>- S-Video or Composite video output</li> <li>- Supports NTSC/PAL TV formats</li> </ul>
Main Memory	<ul style="list-style-type: none"> <li>- Two 168-pin DIMM memory sockets</li> <li>- PC100/133 SDRAM support</li> </ul>
LAN	<ul style="list-style-type: none"> <li>- VIA 10/100 Ethernet LAN onboard</li> </ul>
Graphics	<ul style="list-style-type: none"> <li>- Integrated AGP4X with 2D/3D Graphics Acceleration</li> <li>- Motion Compensation for DVD playback</li> <li>- VIP port for video overlay function</li> </ul>
Audio	<ul style="list-style-type: none"> <li>- VIA VT1612A AC'97 onboard</li> <li>- 3 Audio Jacks - Line-Out, Line-In and Microphone-In</li> <li>- Sound Blaster, Sound Blaster Pro Compatible</li> <li>- Digital I/O compatible with consumer mode S/PDIF</li> </ul>
Expansion Slots	<ul style="list-style-type: none"> <li>- ATA/100/66/33 Support</li> <li>- 1 PCI slots</li> </ul>
Onboard IDE	<ul style="list-style-type: none"> <li>- ATA/100/66</li> </ul>
I/O Ports	<ul style="list-style-type: none"> <li>- 3 Audio Jacks - Line-out, Mic-in and Line-in</li> <li>- Four USB ports (two USB ports located at rear side)</li> <li>- 1 EPP/ECP parallel port</li> <li>- 1 16C550 compatible serial port</li> <li>- 2 External PS/2 Compatible Keyboard /Mouse ports</li> <li>- 2 TV output ports (S-Video or optional RCA TV out)</li> <li>- 1 S/PDIF out (optional and multiplex with RCA TV out)</li> <li>- 1 RJ-45 LAN port</li> <li>- 1 PCI slot (Note: support for two PCI devices)</li> </ul>
Power Supply	<ul style="list-style-type: none"> <li>-ATX Power Supply Compliant</li> </ul>

VIA EPIA Mini-ITX Mainboard Architecture



**EPIA-V-8000 IS IN STOCK**